

M/V SUPPLIER

OVERVIEW

Built 2005, Promek AS, Norway. Upgraded 2014, Ö-varvet Sweden.
Class notification: Danish Maritime Authority (DMA) cargo ship notice B

Trading area:	World Wide
Call Sign:	OXJK2
Complement total:	12 Pax + Crew
Gross tonnage:	85
Net tonnage:	25
Hull:	Aluminum
Length o. a. :	20,50 m
Breadth:	8,0 m
Operational draft:	1,4 m
Moulded Depth:	2,9 m
Bunker capacity, diesel oil:	4 m ³
Fresh water capacity:	52 m ³
Total aft deck capacity:	100 m ²
Total forward deck capacity:	9,6 m ²
Container capacity:	2 x 20" / 4 x 10"

CARGO HANDLING

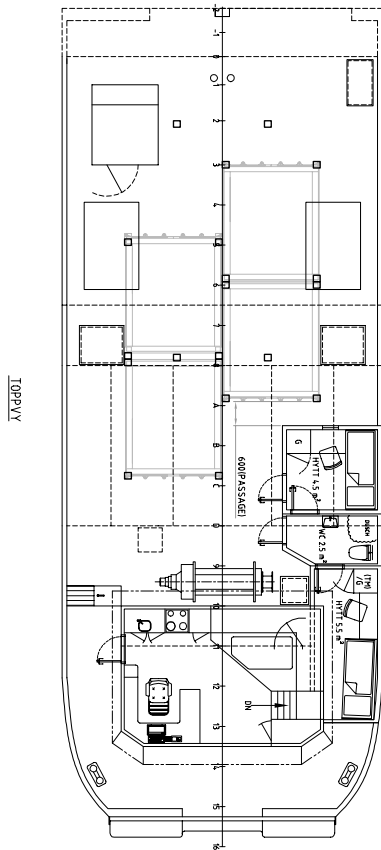
Deck crane:	Palfinger
Model:	PK500002M
Max lifting capacity @ max outreach:	1120 kg @ 20,6 m
Max winch capacity:	4,0 t
Deck winch:	20 ton, hydraulic brake

MAIN AND AUXILIARY MACHINERY

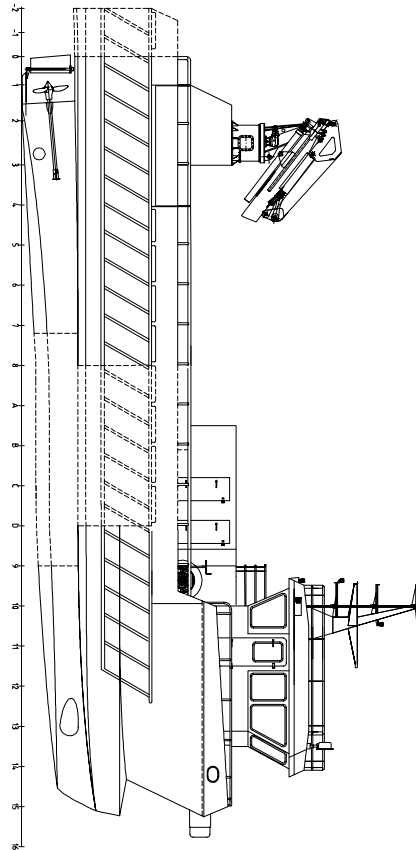
Main engines:	2 x Sabb Marine 8210 SRM 45
Power:	2 x 335/455 kW/HP
Propulsion type:	Controllable Pitch Propellers
Propulsion equipment:	Mekanor 270 HSX / Helseth CCP
Auxiliary engine:	Sabb Lister Petter SMG
Output:	11,8 kVA 220V
Thrusters:	2 x aft & 1 x fwd

NAVIGATION AND COMMUNICATION EQUIPMENT

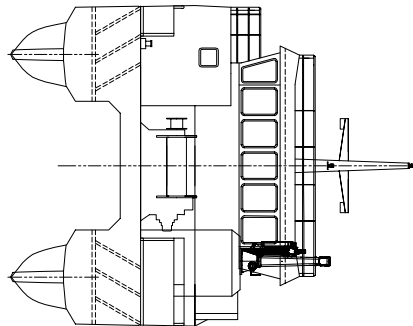
Radar:	JRC
El. chart system:	Transas Navisailor / Simrad
AIS:	Furuno FA-150 Class A
GMDSS:	A1
Heading system:	Simrad fluxgate compass
GPS/DGPS:	Furuno GP-150
Autopilot:	Simrad AP-25
Depth sounder:	Furuno FCV-620
Crew finder:	Taiyo Musen
Navtex:	Furuno NX-700B



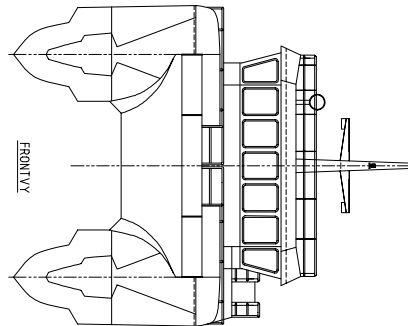
TOPPVY



SIDOVY



AKTERLIG VY



FRONTVY

M/V SUPPLIER

GENERAL ARRANGEMENT