



M/V SUPPLIER



# M/V SUPPLIER

## OVERVIEW

Built 2005, Promek AS, Norway. Upgraded 2014, Ö-varvet Sweden.  
Class notification: Danish Maritime Authority (DMA) cargo ship notice B

Trading area:	World Wide
Call Sign:	OXJK2
Complement total:	12 Pax + Crew
Gross tonnage:	85
Net tonnage:	25
Hull:	Aluminum
Length o. a. :	20,50 m
Breadth:	8,0 m
Operational draft:	1,4 m
Moulded Depth:	2,9 m
Bunker capacity, diesel oil:	4 m <sup>3</sup>
Fresh water capacity:	52 m <sup>3</sup>
Total aft deck capacity:	100 m <sup>2</sup>
Total forward deck capacity:	9,6 m <sup>2</sup>
Container capacity:	2 x 20" / 4 x 10"

## CARGO HANDLING

Deck crane:	Heila
Model:	Heila HLRM 45-55
Max lifting capacity:	8250 kg
Max lifting capacity @ max outreach:	1820 kg @ 15,2 m
Max winch capacity:	4,0 t
Deck winch:	20 ton, hydraulic brake

## MAIN AND AUXILIARY MACHINERY

Main engines:	2 x Sabb Marine 8210 SRM 45
Power:	2 x 335/455 kW/HP
Propulsion type:	Controllable Pitch Propellers
Propulsion equipment:	Mekanor 270 HSX / Helseth CCP
Auxiliary engine:	Sabb Lister Petter SMG
Output:	11,8 kVA 220V
Thrusters:	2 x aft & 1 x fwd

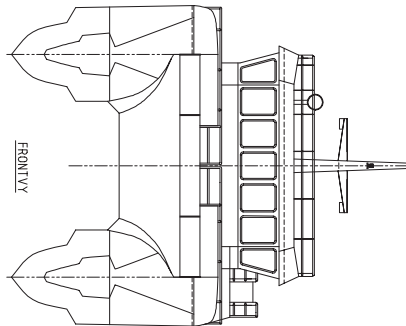
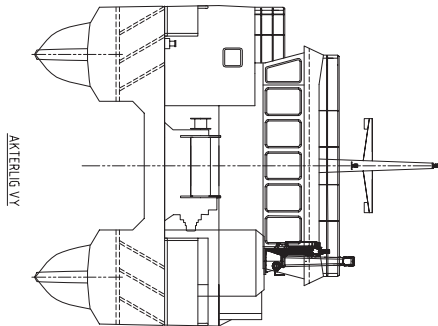
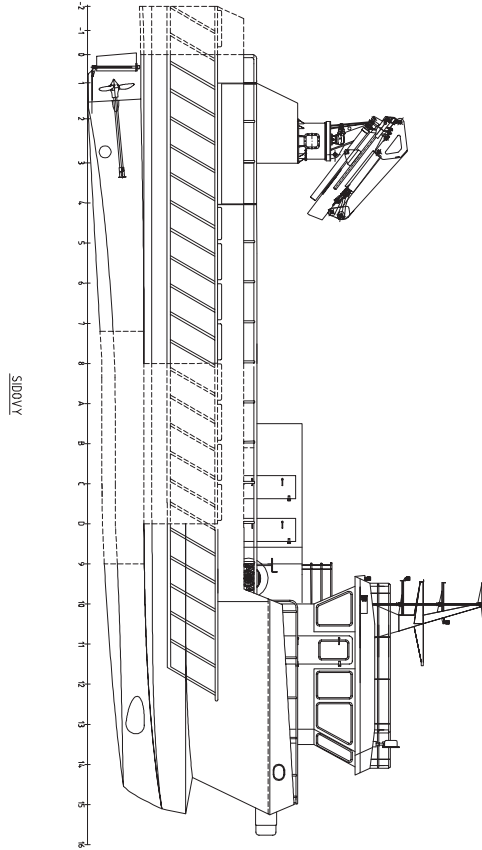
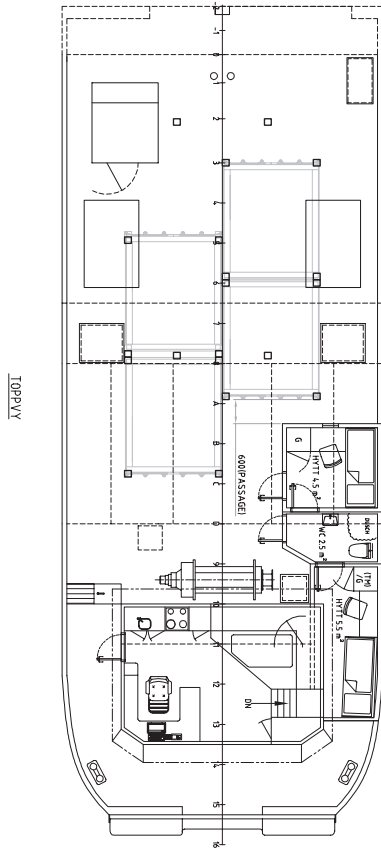
## NAVIGATION AND COMMUNICATION EQUIPMENT

Radar:	JRC
El. chart system:	Transas Navisailor / Simrad
AIS:	Furuno FA-150 Class A
GMDSS:	A1
Heading system:	Simrad fluxgate compass
GPS/DGPS:	Furuno GP-150
Autopilot:	Simrad AP-25
Depth sounder:	Furuno FCV-620
Crew finder:	Taiyo Musen
Navtex:	Furuno NX-700B

**Northern Energy & Supply AB**  
Fiskebäcks Hamn 22  
SE-426 58 Västra Frölunda,  
Sweden

Phone: +46 31 31 00 270  
Duty: +46 761 80 80 50  
Email: [order@n-e-s.se](mailto:order@n-e-s.se),  
Web: [www.n-e-s.se](http://www.n-e-s.se)

**PART OF THE NORTHERN  
OFFSHORE GROUP.**



# M/V SUPPLIER

GENERAL ARRANGEMENT

**Northern Energy & Supply AB**  
 Fiskebäcks Hamn 22  
 SE-426 58 Västra Frölunda,  
 Sweden

Phone: +46 31 31 00 270  
 Duty: +46 761 80 80 50  
 Email: [order@n-e-s.se](mailto:order@n-e-s.se),  
 Web: [www.n-e-s.se](http://www.n-e-s.se)

**PART OF THE NORTHERN  
 OFFSHORE GROUP.**